



Transport trolley

HOW TO MOUNT A NEW MODEL SWIVEL WHEEL
JUNI 2020-V1



Berg Hortimotive
Burg. Crezeelaan 42a
2678 KZ De Lier
The Netherlands

Phone +31 (0)174-517 700
info@berghortimotive.com
berghortimotive.com

Service
Phone +31 (0)174-613 293
service@berghortimotive.com

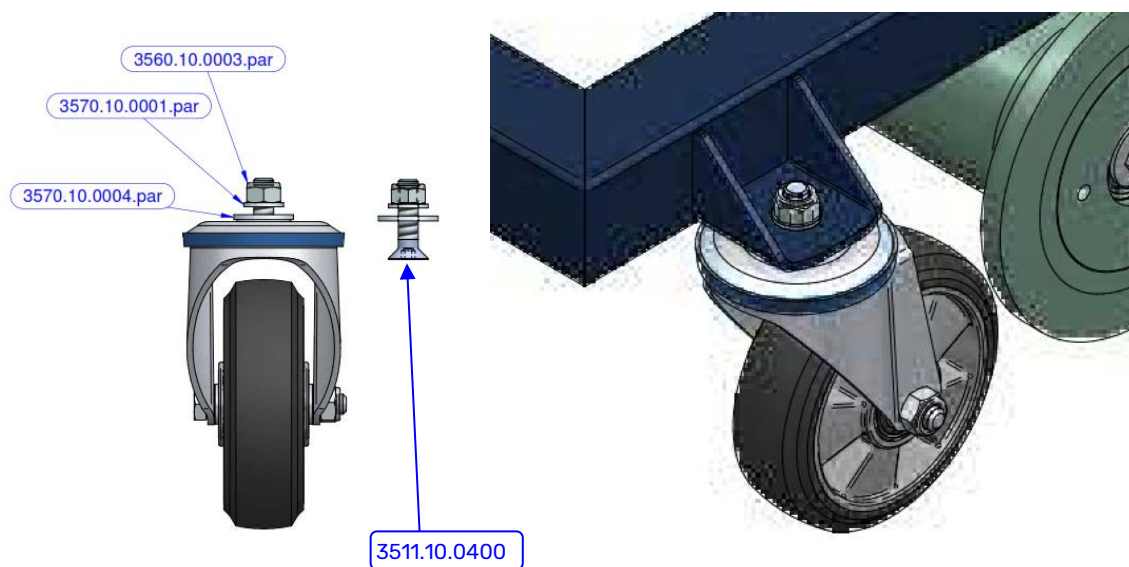
HOW TO MOUNT A NEW SWIVEL WHEEL 125X40MM:

From October 2014 Berg Hortimotive supplied a new type swivel wheel with a larger mounting hole. Therefore it is necessary to use other connecting materials. The drawings below shows how the new model wheel should be mounted .

Remove the broken old model swivel wheel:



Install the new model swivel wheel with the indicated connecting materials:



- | | |
|--------------|---------------------------------------|
| 3511.10.0400 | countersunk bolt DIN 7991 10.9 M10x40 |
| 3560.10.0003 | locknut DIN 985 8.8 M10 |
| 3570.10.0001 | washer DIN 125A M10 |
| 3570.10.0004 | washer M10x30x2,5 |